

A

B

C

D

1

1

2

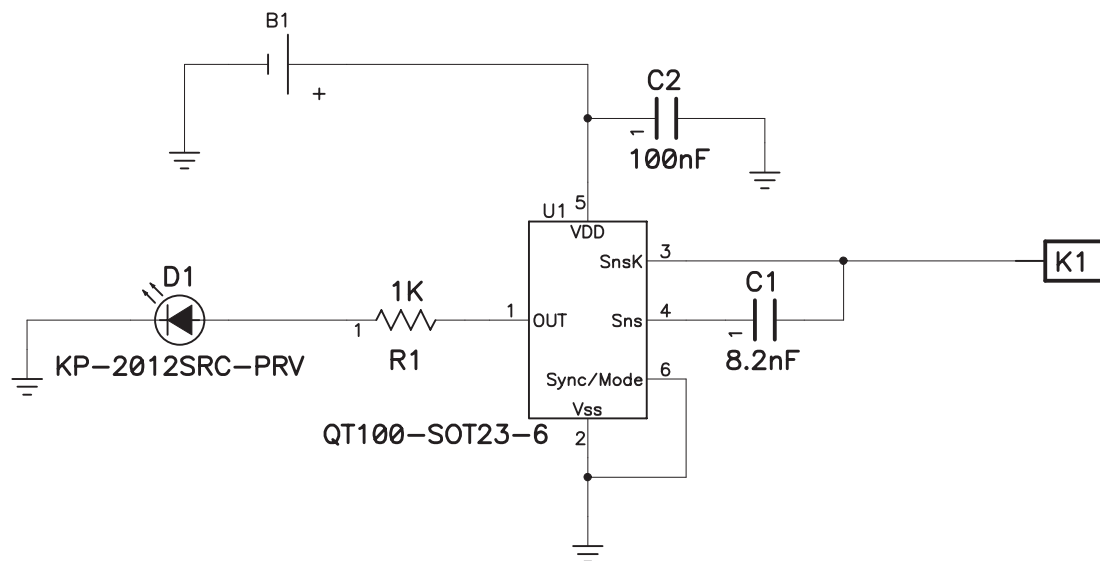
2

3

3

4

4



Title: QT100 EVALUATION BOARD	
Filename: B-1049-B0.SCH	
Number: B-1049-B0	Project: QT100
Sheet 1 of 1 Dwn: SDW	
Checked:	Approved:

© 2006 QRG Ltd - This drawing and its contents are strictly confidential and provided for INFORMATION PURPOSES ONLY. Under NO circumstances should the drawing and its contents be copied, sold, transferred or reproduced in whole or part without the prior written consent of QRG Ltd.

B0	DEL D3, SW1, REVERSE D1 POL, AND GND ANODE, REPLACE B1 WITH POLARISED VERSION.	SDW	13/12/06
A0	FIRST ISSUE	SDW	5/12/06
Iss	Notes	ECN	Drn
			Date



A

B

C

D